

## Qwik-Crate®

Laminated  
paper packaging

### Maximum Versatility

Available with protective coatings for moisture resistance and corrosion protection

### Product Protection

Helps prevent product damage throughout the transportation cycle

### Quick Assembly

Patented design simplifies application

### Highly Sustainable

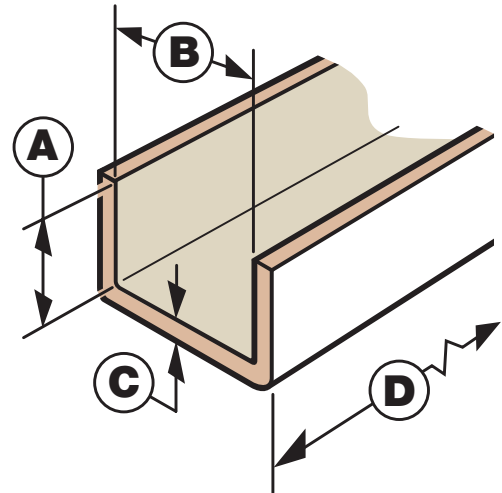
Manufactured with 100% recycled materials and is 100% recyclable

# Qwik-Crate

## Laminated paper packaging



Qwik-Crate laminated paperboard packaging provides superior beam strength and crush resistance for maximum product protection. Ideal for longer packaging applications, its simple, yet durable construction provides optimal end protection for handling and stacking.



## Features and benefits

### ■ Easy to use

Qwik-Crate's patented fold-over design eliminates the need for separate end caps, making assembly easier and faster than other packaging methods.

### ■ Highly versatile

Qwik-Crate's sturdy construction delivers built-in protection from damage that can occur in the warehouse and throughout the distribution cycle.

### ■ Application-specific solutions

Available in custom finishes and protective coatings, Qwik-Crate can be tailored to suit different product applications, including providing moisture resistance and corrosion protection. In addition, it can be custom printed, allowing product identification and point-of-sale merchandising.

## Qwik-Crate Technical Specifications

<b>A   Leg Height</b>	Available from 25-127 mm (1-5 in)
<b>B   Base Width</b>	Available from 76-254 mm (3-10 in)
<b>C   Caliper</b>	Available from 1.5-4 mm (.060-.160 in)
<b>D   Length</b>	Available from 1-15 m (3-50 ft)